



Through/Tub Vibratory Surface Finishing Machines

From 20 litres to 2200 litres and more, Kromas is manufacturing Trough Vibrators to fit your process application. Parts up to 2200 mm and bigger, can be processed in plastic or ceramic media, or with ball burnishing vibratory process.

Trough vibrators are ideal for processing of heavy, long, bulky or delicate components which allow unlimited application possibilities.

Drive motors are mounted under the machine, directly to the bottom of the processing tub. Also, larger capacity units are driven by two motors mounted on the side of the tub. Drive motors and imbalance units are connected with unique vibration absorbing couplings.

Processing tub can be divided into individual compartment. This is important for processing of delicate parts. Compartment can be filled with different media for step processing as well. Acoustic protection/ Sound covers are available and listed separately.

Kromas Vibratory Tub/Trough machines are used in variety of industries. From the Automotive and Aerospace parts, to the Natural Stone and Wood industry. Kromas robust design of vibratory tub machines is recognized in "Stone" finishing industry. Tiles and pavers of various materials, size, and thickness are processed in these machines with short cycle time, desired finish and customer satisfaction.





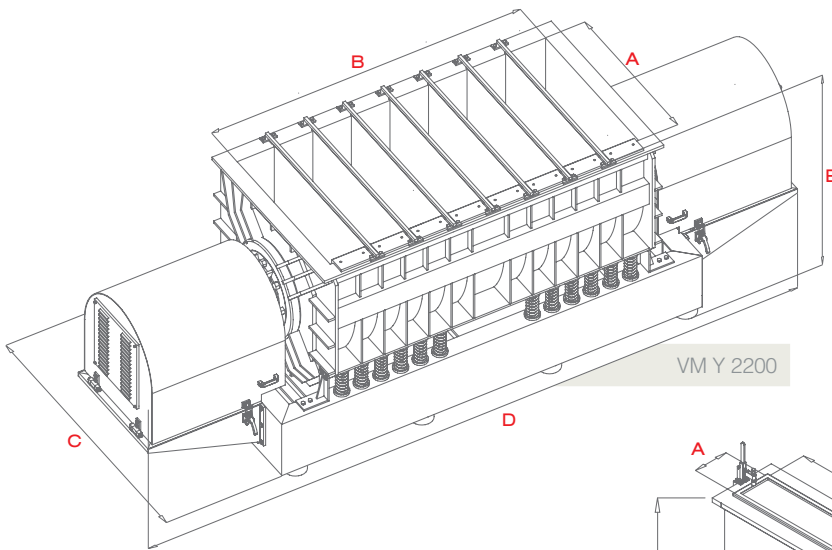
VM 375 Y / Capacity: 375 liter



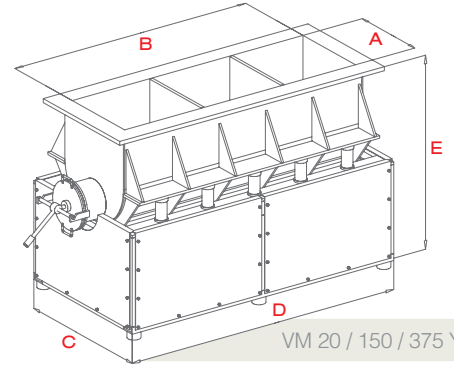
VM 150 Y / Capacity: 150 liter



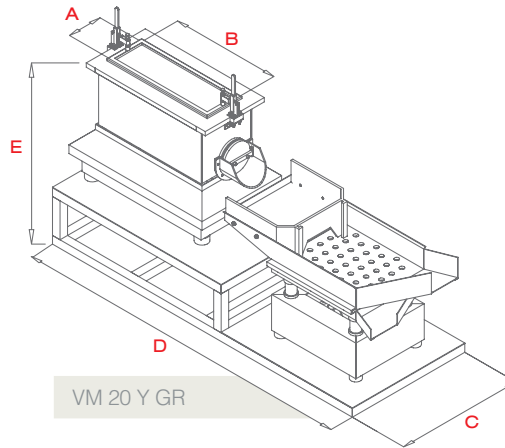
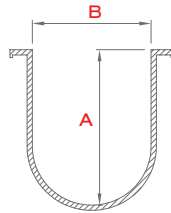
VM 20 Y GR / Capacity: 20 liter



VM Y 2200



VM 20 / 150 / 375 Y



VM 20 Y GR

THROUGH/TUB VIBRATORY SURFACE FINISHING MACHINES

Machine Type		VM 20 Y*	VM 20 Y GR*	VM 150 Y*	VM 375 Y*	VM Y 2200*
Capacity	litre	20	20	150	375	2200
Polyurethane Thickness	mm	15	15	15	15	15-35
Process Area Height	mm	235	235	480	570	985
Process Area Width	mm	A	170	170	365	500
Process Area Length	mm	B	530	530	870	1500
Width	mm	C	600	600	908	1191
Length	mm	D	710	1600	1149	1799
Height	mm	E	782	965	1095	1125
Weight	kg	125	200	496	1002	4710
Motor Cycle (at 50 Hz)	d/d	1500	1500	1500	1500	1500
Motor Power	kW	1	1,1	1,1 / 1,5	4 / 6	22

* All through vibratory machines have versions available for ball burnishing process with stainless steel media.