

LNR 6500 / Linear Vibratory Surface Finishing System

Linear Vibratory Surface Finishing Machine

Kromas linear vibratory tub machines allowing unlimited application possibilities. Kromas is manufacturing systems with automatic parts unloading and separation process. Manual and pneumatic noise protection covers are listed as optional machine equipment.

High throughput capacity, high profitability and unlimited automation possibilities are main characteristic of Kromas LNR vibratory continuous finishing system.

It is used in high volume production for finishing, deburring, radiusing in stamping, forging, die-casting processes. Kromas LNR system provides unmatched reliability in operation.

Kromas LNR system provides unique operation safety.

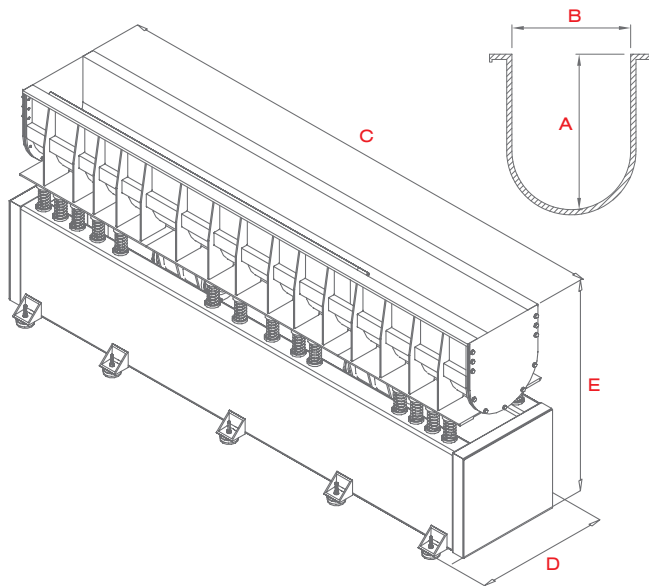




LNR 4000 / Capacity: 900 liter



LNR 2000 / Capacity: 450 liter



| | Capacity | Polyurethane Thickness | Process Area Height | Process Area Width | Process Area Length | Width | Height | Length | Weight | MotorCyclei (At 50 Hz) | Motor Power |
|---------------------|----------|------------------------|---------------------|--------------------|---------------------|----------|----------|--------|--------|------------------------|-------------|
| | litre | mm | mm | mm | mm | mm | mm | mm | kg | d/d | kW |
| Machine Type | | | A | B | C | D | E | | | | |
| LNR 2000 | 450 | 20 | 594 | 448 | 2000 | 1074 | 1200 | 2445 | 1730 | 1500 | 6 |
| LNR 4000 | 900 | 20 | 594 | 448 | 4000 | 1074 | 1200 | 6000 | 4500 | 1500 | 11 |
| LNR 6500 | 1350 | 20 | 594 | 448 | 6000 | 2550 | 2200 | 8500 | 8125 | 1500 | 30 |