

Patented, special inner design to increase process efficiency

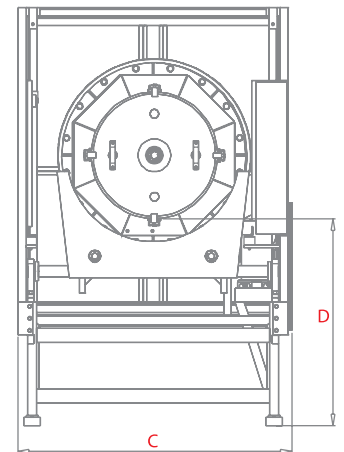
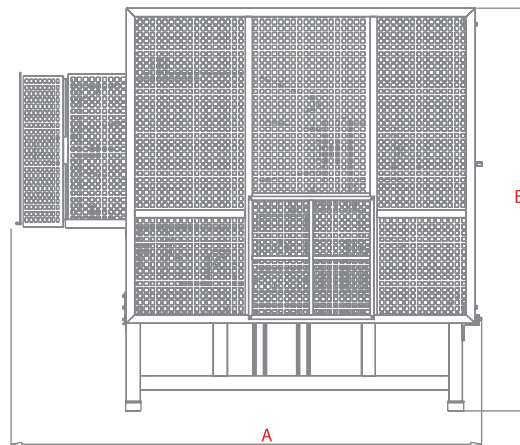
DM 400 / Capacity: 400 liter

## Surface Finishing Barrels

Process barrel of Kromaş DM 400 Surface Finishing and Polishing Barrel is lined with elastomer polyurethane.

DM 400 is a versatile machine suitable for wet or dry barrel finishing processes.

Internal polyurethane form of DM400 Surface Finishing and Polishing Barrel is very efficient. It allows the users to have fast and economic production.



Capacity	Length	Height	Width	Process Area Height	PU Thickness	Steel Thickness	Rotation Motor Power	Centrifuge Cycle	Motor Cycle (At 50 Hz)	Water Inlet	Weight	
litre	mm	mm	mm	mm	mm	mm	kW	d/d	d/d	bar	kg	
	A	B	C	D								
<b>DM 400</b>	400	2240	1918	1256	950	15	6	4	1-40	1500	2-4	920